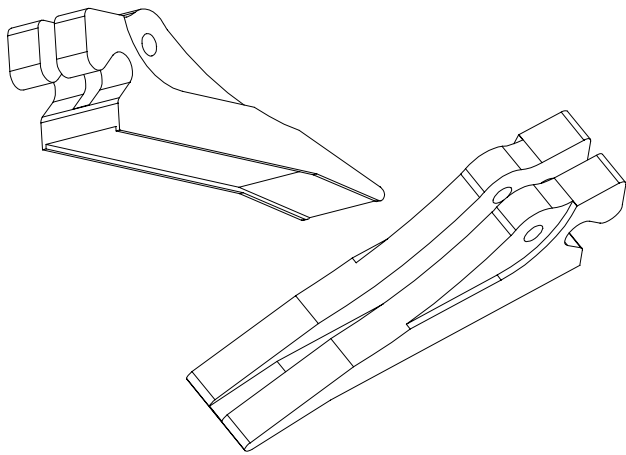
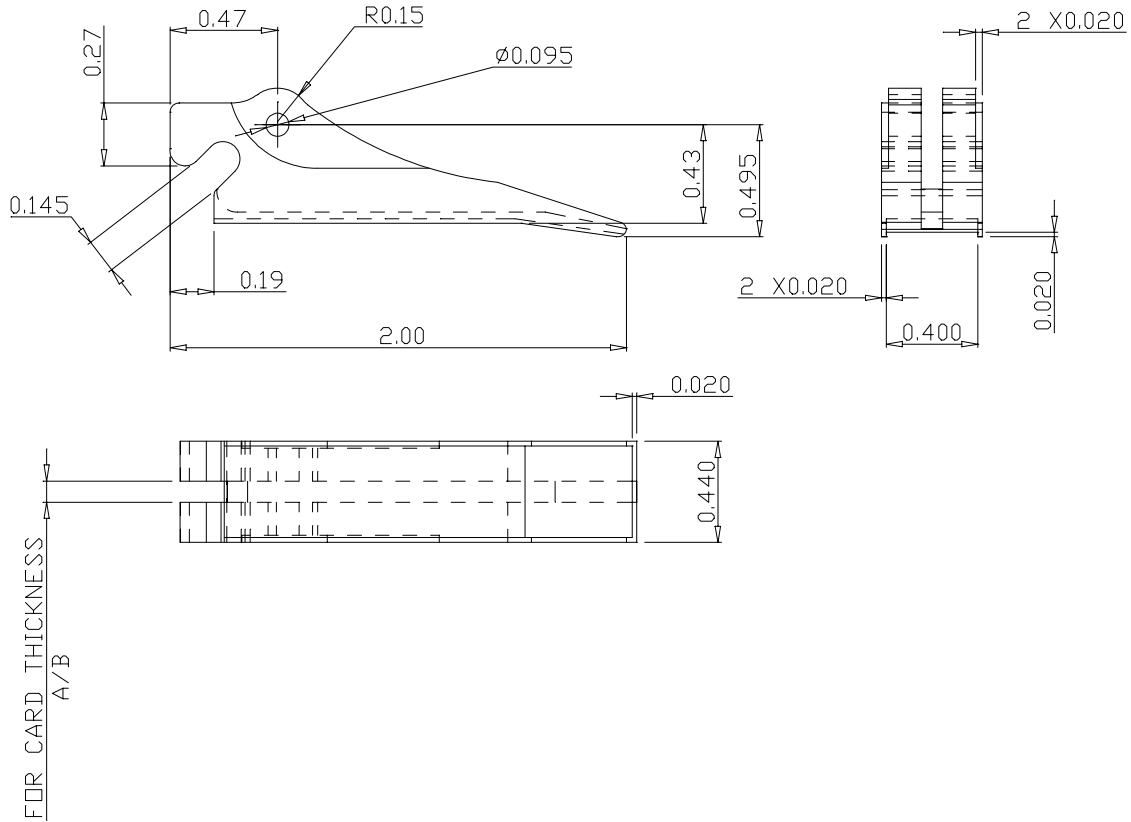


NOTE: ALL DIMNS. ARE IN INCHES



**MATERIAL REFERENCE CHART**

MATERIAL CODE	MATERIAL DESCRIPTION			
J	Polycarbonate, Lexan 940, Meets UL94-VO, Stock Color: Black.			
2	R1022-B	0.093	Ø3/32 x 0.375	J Refer to Mat.Ref.Chart for Mat.description against above supplied Material Code
1	R1022-A	0.062	Ø3/32 x 0.375	
S.NO	PART NO	CARD THICK.	MOUNTING PIN	MATERIAL CODE
PART NAME: INSERTER-EXTRACTOR			DATE	SIGN
PART NO : R 1022-(A/B)			DRN. BY	SHAQK
			CHK. BY	DAVID
SHEET 1 OF 1	DO NOT SCALE THE DRAWING		TOLERANCE	.X = ± 0.020
				.XX = ± 0.010
				.XXX = ± 0.005

**MICRO DIMENSIONAL INC.**  
548 NORTH TROOPER ROAD. NORRISTOWN, PA 19403