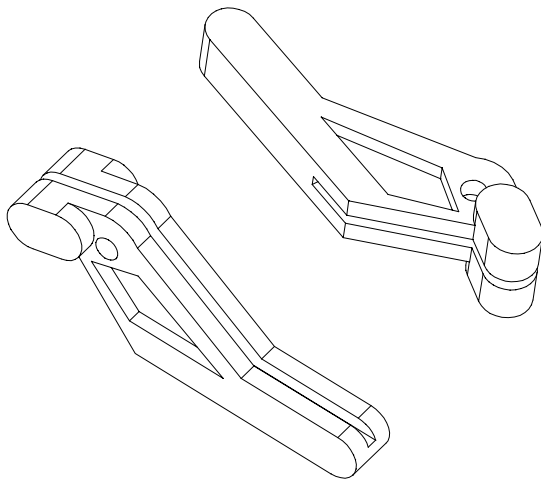
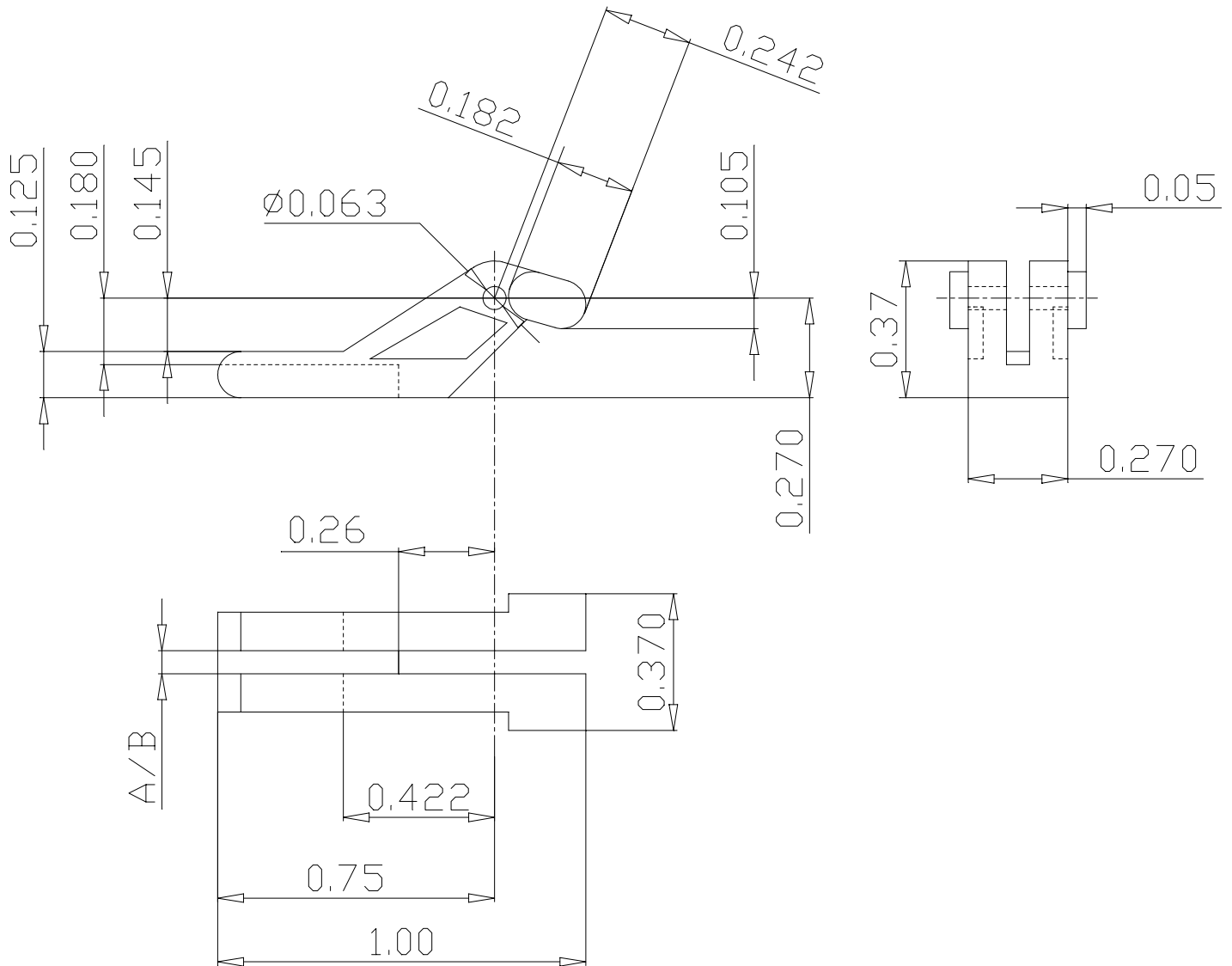


NOTE: ALL DIMNS. ARE IN INCHES



MATERIAL REFERENCE CHART

MATERIAL CODE	MATERIAL DESCRIPTION
I	Nylon 6/6, 20% Glass filled, Meets UL94-V2, Stock Color : Natural.

S.NO	PART NO	CARD THICK.	MOUNTING PIN	MATERIAL CODE
2	R1020-B	0.093	-----	'I' Refer to Mat.Ref.Chart for Mat.description against above supplied Material Code
1	R1020-A	0.062	-----	

PART NAME: INSERTER-EXTRACTOR		DATE	SIGN
DRN. BY			SHAQK
CHK. BY			DAVID

SHEET 1 OF 1	DO NOT SCALE THE DRAWING	TOLERANCE	
		.X	= ± 0.020
		.XX	= ± 0.010
		.XXX	= ± 0.005

MICRO DIMENSIONAL INC.
548 NORTH TROOPER ROAD. NORRISTOWN, PA 19403