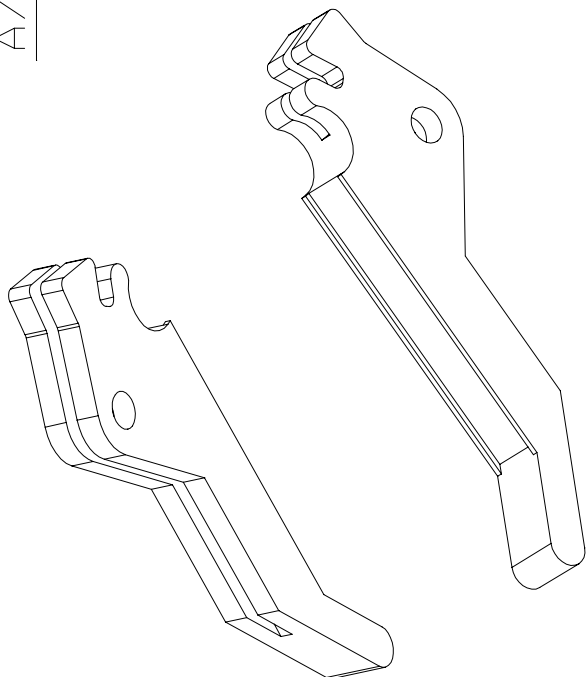
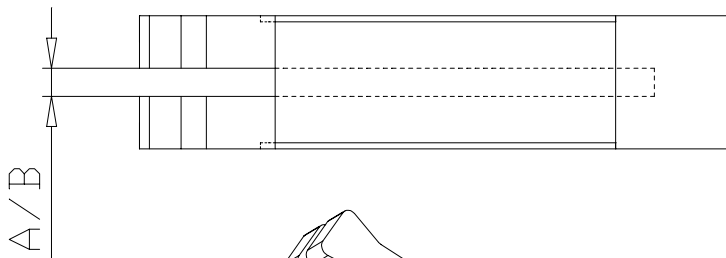
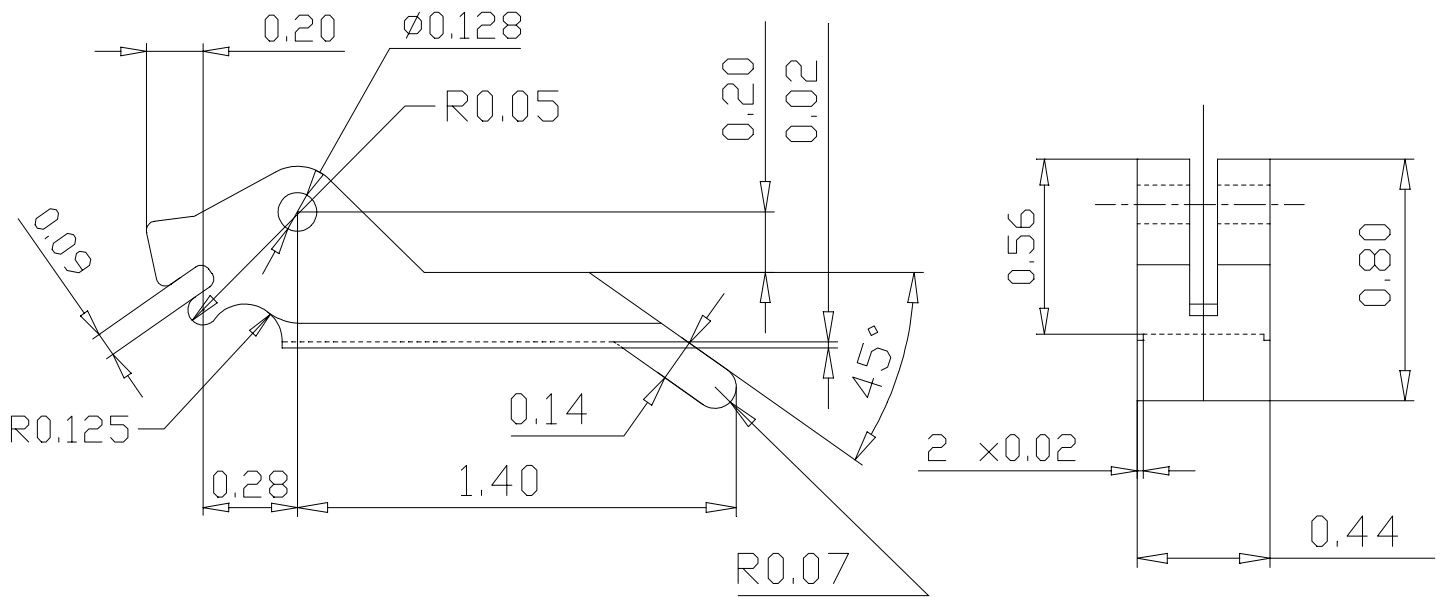


NOTE: ALL DIMNS. ARE IN INCHES



MATERIAL REFERENCE CHART

MATERIAL CODE	MATERIAL DESCRIPTION
J	Polycarbonate, Lexan 940, Meets UL94-VO, Stock Color: Black.

S.NO	PART NO	CARD THICK.	MOUNTING PIN	MATERIAL CODE
2	R1019-B	0.093	Ø1/8 x 3/8	J Refer to Mat.Ref.Chart for Mat.description against above supplied Material Code
1	R1019-A	0.062	Ø1/8 x 3/8	

PART NAME: INSERTER-EXTRACTOR		DATE	SIGN
PART NO : R1019-(A/B)		DRN. BY	SHAQK
		CHK. BY	DAVID

SHEET 1 OF 1	DO NOT SCALE THE DRAWING	TOLERANCE	X = ± 0.020 .XX = ± 0.010 .XXX = ± 0.005

MICRO DIMENSIONAL INC.
 548 NORTH TROOPER ROAD. NORRISTOWN, PA 19403