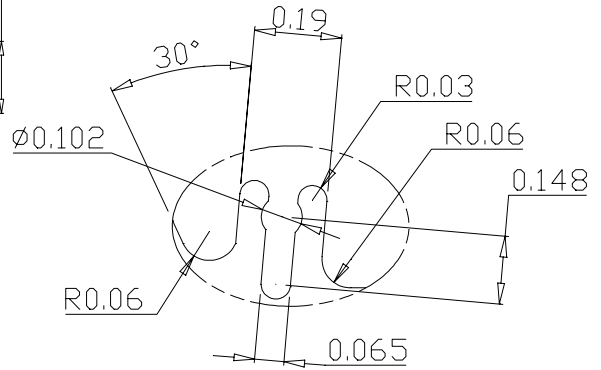
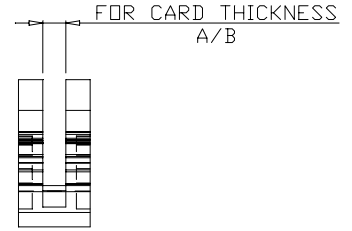
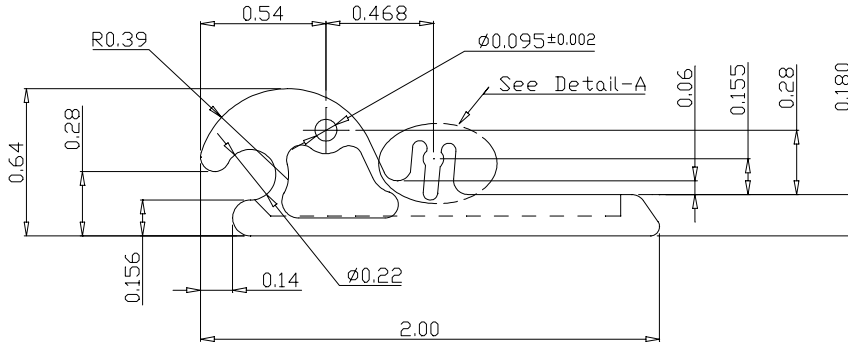
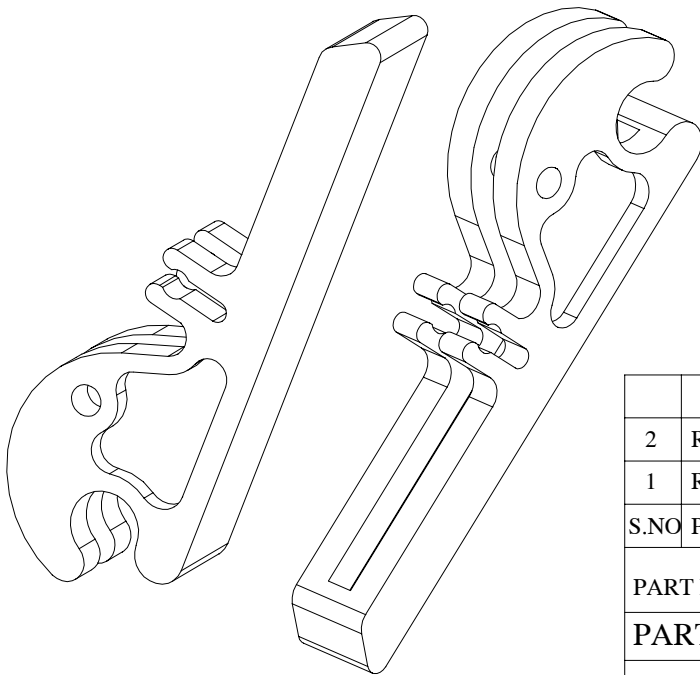


NOTE: ALL DIMNS. ARE IN INCHES



Scale 2:1
Detail-A



MATERIAL REFERENCE CHART

MATERIAL CODE	MATERIAL DESCRIPTION
*	Nylon 6/6, UL E39806 M, Meets UL94-V2 & Mil. Spec. M20693, Stock Color: Natural.
H	Nylon 6/6, Flame Retardant, UL E44600 M, Meets UL94-V0, Stock Color: Natural.

S.NO	PART NO	CARD THICK.	MOUNTING PIN	MATERIAL CODE
2	R1012-B	0.093	$\phi 3/32 \times 5/16$	*, H Refer to Mat.Ref.Chart for Mat.description against above supplied Material Code
1	R1012-A	0.062	$\phi 3/32 \times 5/16$	

PART NAME: INSERTER-EXTRACTOR		DATE	SIGN
PART NO : R 1012-(A/B)		DRN. BY	SHAQK
		CHK. BY	DAVID

SHEET 1 OF 1	DO NOT SCALE THE DRAWING		TOLERANCE	.X = ± 0.020
				.XX = ± 0.010
				.XXX = ± 0.005

MICRO DIMENSIONAL INC.
548 NORTH TROOPER ROAD. NORRISTOWN, PA 19403