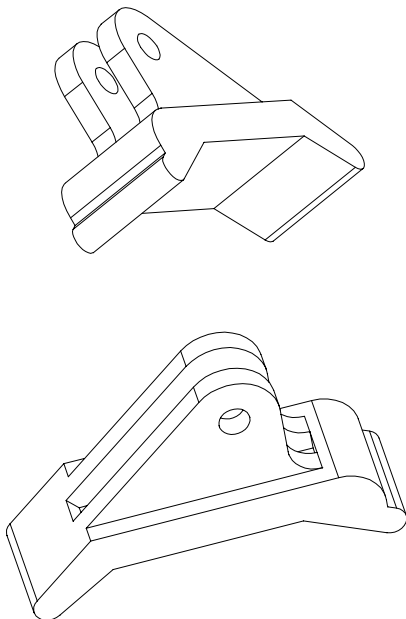
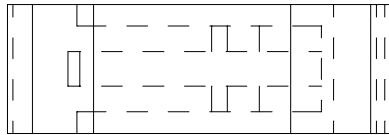
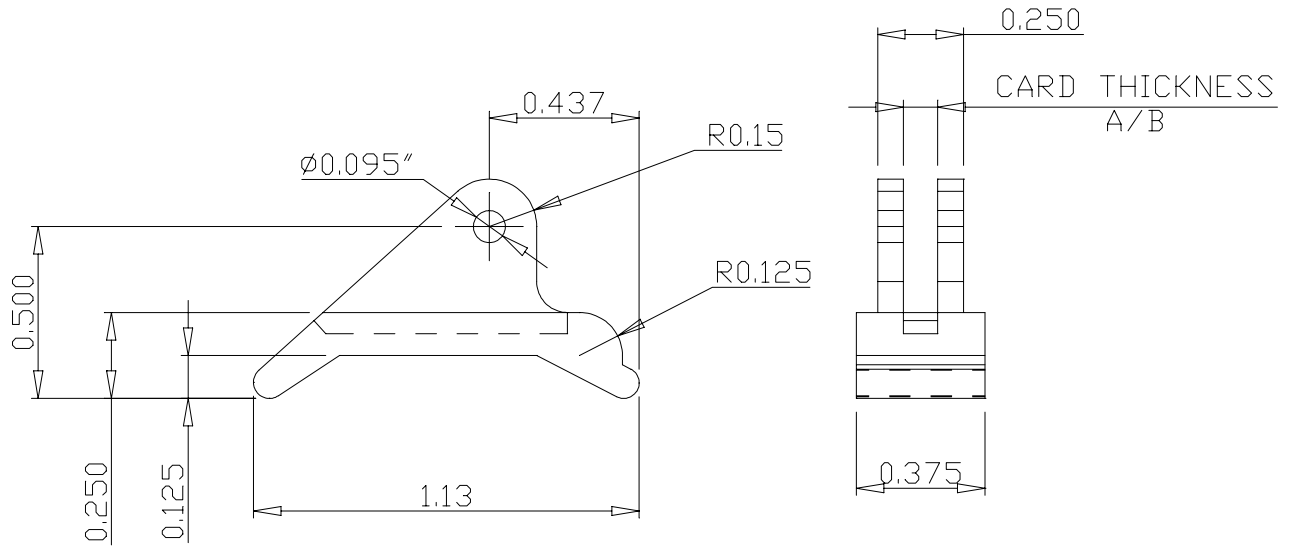


NOTE: ALL DIMNS. ARE IN INCHES ONLY



MATERIAL REFERENCE CHART

MATERIAL CODE	MATERIAL DESCRIPTION			
*	Nylon 6/6, UL E39806 M, Meets UL94-V2 & Mil. Spec. M20693, Stock Color: Natural.			
2	R1003-B	0.093	Ø3/32 x 1/4	* Refer to Mat.Ref.Chart for Mat.description against above supplied Material Code
1	R1003-A	0.062	Ø3/32 x 1/4	
S.NO	PART NO	CARD THICK.	MOUNTING PIN	MATERIAL CODE
PART NAME: EJECTOR			DATE	SIGN
PART NO : R 1003-(A/B)			DRN. BY	SHAQK
			CHK. BY	DAVID
SHEET 1 OF 1	DO NOT SCALE THE DRAWING		TOLERANCE	X = ± 0.020
				.XX = ± 0.010
				.XXX = ± 0.005

MICRO DIMENSIONAL INC.
548 NORTH TROOPER ROAD. NORRISTOWN, PA 19403