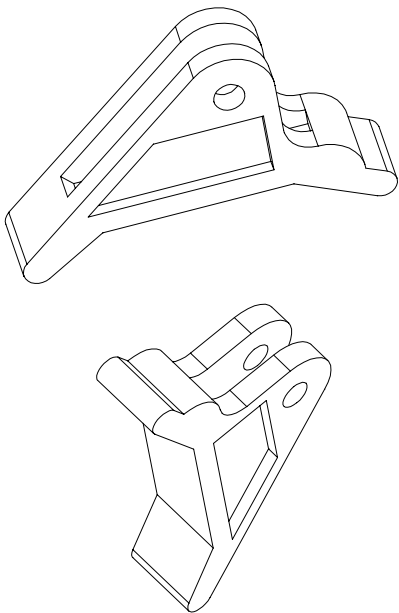
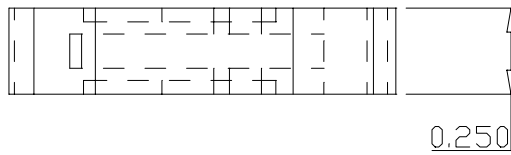
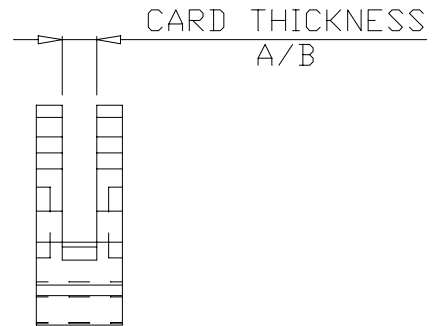
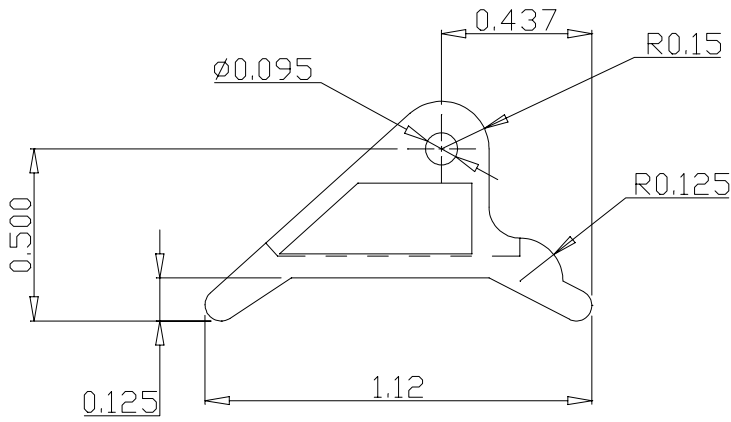


NOTE: ALL DIMNS. ARE IN INCHES ONLY



MATERIAL REFERENCE CHART

MATERIAL CODE	MATERIAL DESCRIPTION				
*	Nylon 6/6, UL E39806 M, Meets UL94-V2 & Mil. Spec. M20693, Stock Color: Natural.				
				*	
2	R1002-B	0.093	$\varnothing 3/32 \times 1/4$	Refer to Mat.Ref.Chart for Mat.description against above supplied Material Code	
1	R1002-A	0.062	$\varnothing 3/32 \times 1/4$		
S.NO	PART NO	CARD THICK.	MOUNTING PIN	MATERIAL CODE	
PART NAME: EJECTOR				DATE	SIGN
PART NO : R 1002-(A/B)				DRN. BY	SHAQK
				CHK. BY	DAVID
SHEET 1 OF 1	DO NOT SCALE THE DRAWING	TOLERANCE		.X = ± 0.020	
				.XX = ± 0.010	
				.XXX = ± 0.005	

MICRO DIMENSIONAL INC.
548 NORTH TROOPER ROAD. NORRISTOWN, PA 19403