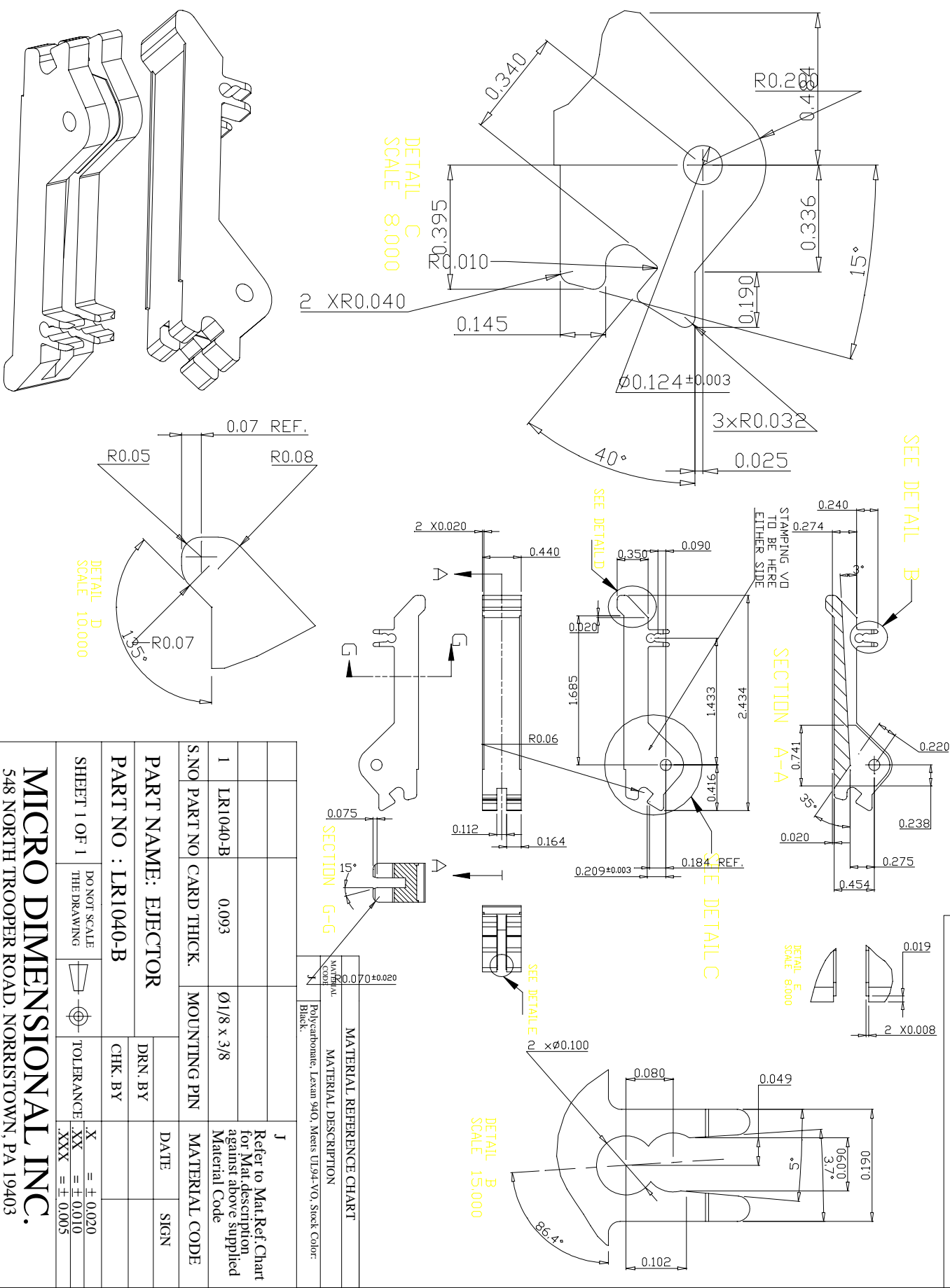


NOTE: ALL DIMNS. ARE IN INCHES



MATERIAL REFERENCE CHART	
MATERIAL DESCRIPTION	
MATERIAL CODE	
	Polycarbonate, Lexan 940, Meers U194-V0, Stock Color: Black.

S.NO	PART NO	CARD THICK.	MOUNTING PIN	MATERIAL CODE
1	LR1040-B	0.093	Ø1/8 x 3/8	J

PART NAME: EJECTOR		DRN. BY	DATE	SIGN
PART NO : LR1040-B		CHK. BY		
SHEET 1 OF 1		DO NOT SCALE THE DRAWING	TOLERANCE	
			.XX = ± 0.020	
			.XXX = ± 0.010	
			.XXXX = ± 0.005	

**MICRO DIMENSIONAL INC.**  
 548 NORTH TROOPER ROAD, NORRISTOWN, PA 19403