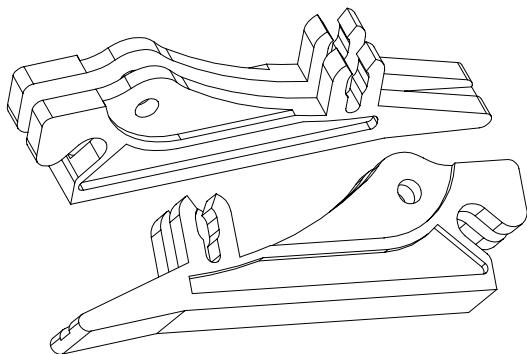
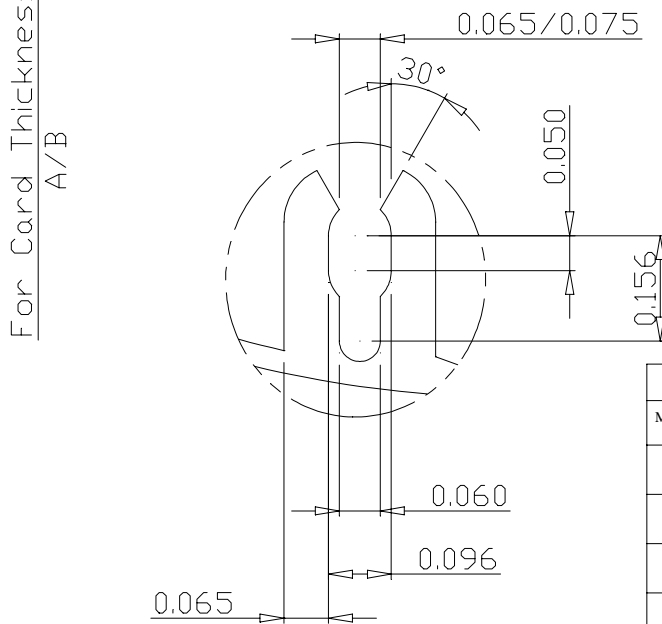
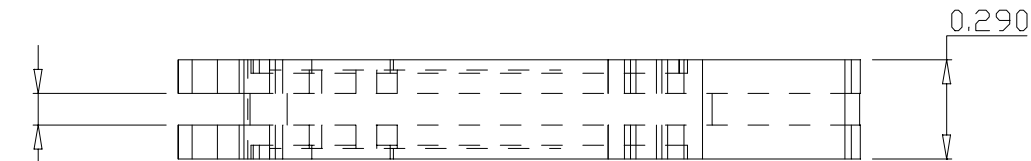
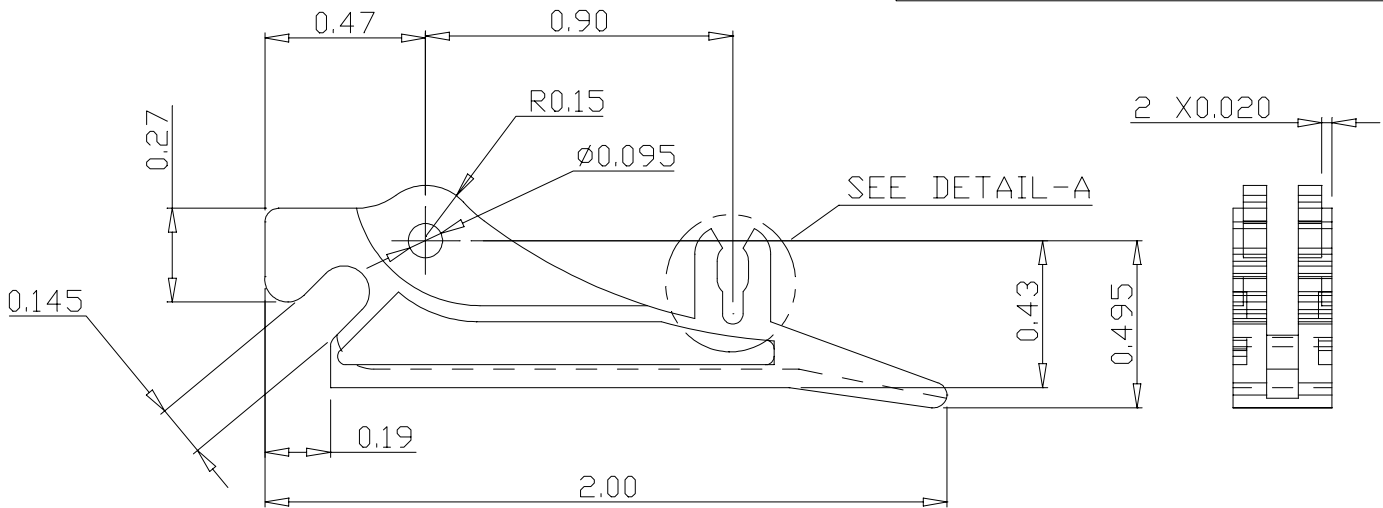


NOTE: ALL DIMNS. ARE IN INCHES



MATERIAL REFERENCE CHART

MATERIAL CODE	MATERIAL DESCRIPTION
*	Nylon 6/6, UL E39806 M, Meets UL94-V2 & Mil. Spec. M20693, Stock Color: Natural.
G	Nylon 6/6, 33% Glass Filled, UL E43392 N, Meets UL94-V2 & Mil. Spec. M20693, Stock Color: Black.
H	Nylon 6/6, Flame Retardant, UL E44600 M, Meets UL94-V0, Stock Color: Natural.
I	Nylon 6/6, 20% Glass filled, Meets UL94-V2, Stock Color : Natural.

S.NO	PART NO	CARD THICK.	MOUNTING PIN	MATERIAL CODE	
2	LR1010-B	0.093	Ø3/32 x 1/4	*,G,H,I Refer to Mat.Ref.Chart against above supplied Material Code	
1	LR1010-A	0.062	Ø3/32 x 1/4		
PART NAME: INSERTER-EXTRACTOR				DATE	SIGN
PART NO : LR 1010-(A/B)				DRN. BY	SHAQK
				CHK. BY	DAVID
SHEET 1 OF 1	DO NOT SCALE THE DRAWING	TOLERANCE		.X = ± 0.020 .XX = ± 0.010 .XXX = ± 0.005	

MICRO DIMENSIONAL INC.

548 NORTH TROOPER ROAD. NORRISTOWN, PA 19403