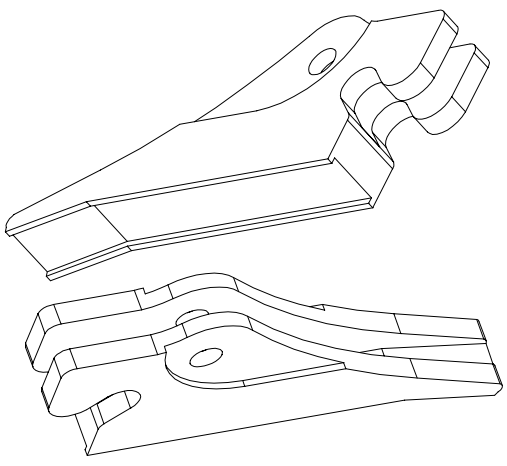
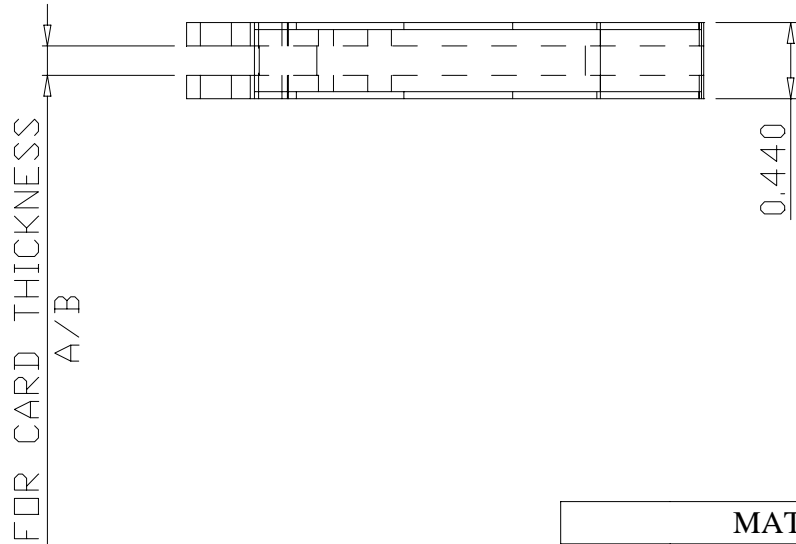
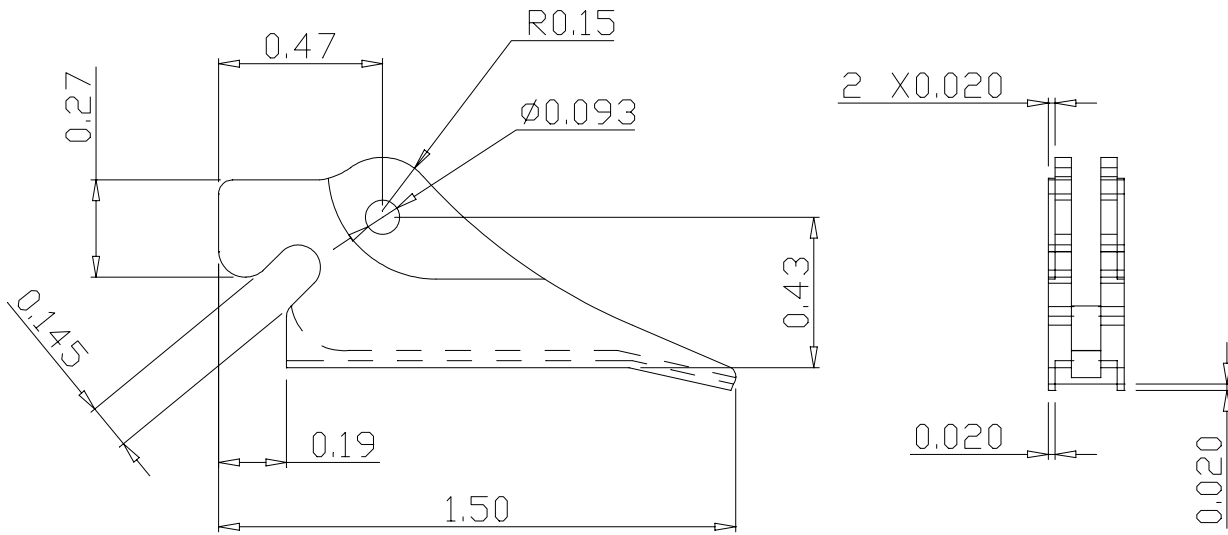


NOTE: ALL DIMNS. ARE IN INCHES



MATERIAL REFERENCE CHART

MATERIAL CODE	MATERIAL DESCRIPTION			
J	Polycarbonate, Lexan 940, Meets UL94-VO, Stock Color: Black.			
				J
2	R2022-B	0.093	Ø3/32 x 3/8	Refer to Mat.Ref.Chart for Mat.description against above supplied Material Code
1	R2022-A	0.062	Ø3/32 x 3/8	
S.NO	PART NO	CARD THICK.	MOUNTING PIN	MATERIAL CODE
PART NAME: INSERTER-EXTRACTOR				DATE
				SIGN
PART NO : R 2022-(A/B)				DRN. BY
				SHAQK
				CHK. BY
				DAVID
SHEET 1 OF 1		DO NOT SCALE THE DRAWING		TOLERANCE
				.X = ± 0.020
				.XX = ± 0.010
				.XXX = ± 0.005

MICRO DIMENSIONAL INC.
548 NORTH TROOPER ROAD. NORRISTOWN, PA 19403